

See discussions, stats, and author profiles for this publication at: <https://www.researchgate.net/publication/356663650>

Testing real quantum theory in an optical quantum network

Preprint · November 2021

CITATIONS

0

READS

88

15 authors, including:



Zheng-Da Li

University of Science and Technology of China

29 PUBLICATIONS 768 CITATIONS

SEE PROFILE



Armin Tavakoli

University of Geneva

79 PUBLICATIONS 1,047 CITATIONS

SEE PROFILE



Sheng-Jun Yang

Southern University of Science and Technology

16 PUBLICATIONS 504 CITATIONS

SEE PROFILE



Marc-Olivier Renou

University of Geneva

32 PUBLICATIONS 269 CITATIONS

SEE PROFILE

Some of the authors of this publication are also working on these related projects:



EIT Storage of narrow-band SPDC single photons [View project](#)



Sequential communication and weak measurements [View project](#)

Testing real quantum theory in an optical quantum network

Zheng-Da Li,^{1,2} Ya-Li Mao,^{1,2} Mirjam Weilenmann,³ Armin Tavakoli,^{3,4} Hu Chen,^{1,2} Lixin Feng,^{1,2} Sheng-Jun Yang,^{1,2} Marc-Olivier Renou,⁵ David Trillo,³ Thinh P. Le,³ Nicolas Gisin,^{6,7} Antonio Acín,^{5,8} Miguel Navascués,³ Zizhu Wang,⁹ and Jingyun Fan^{1,2}

¹*Shenzhen Institute for Quantum Science and Engineering and Department of Physics, Southern University of Science and Technology, Shenzhen, 518055, China*

²*Guangdong Provincial Key Laboratory of Quantum Science and Engineering, Southern University of Science and Technology, Shenzhen, 518055, China*

³*Institute for Quantum Optics and Quantum Information - IQOQI Vienna, Austrian Academy of Sciences, Boltzmanngasse 3, 1090 Vienna, Austria*

⁴*Institute for Atomic and Subatomic Physics, Vienna University of Technology, 1020 Vienna, Austria*

⁵*ICFO-Institut de Ciències Fòniques, The Barcelona Institute of Science and Technology, 08860 Castelldefels (Barcelona), Spain*

⁶*Group of Applied Physics, University of Geneva, 1211 Geneva 4, Switzerland*

⁷*Schaffhausen Institute of Technology - SIT, Geneva, Switzerland*

⁸*ICREA, Pg. Lluís Companys 23, 08010 Barcelona, Spain*

⁹*Institute of Fundamental and Frontier Sciences, University of Electronic Science and Technology of China, Chengdu 610054, China*

Quantum theory is commonly formulated in complex Hilbert spaces. However, the question of whether complex numbers need to be given a fundamental role in the theory has been debated since its pioneering days. Recently it has been shown that tests in the spirit of a Bell inequality can reveal quantum predictions in entanglement swapping scenarios that cannot be modelled by the natural real-number analog of standard quantum theory. Here, we tailor such tests for implementation in state-of-the-art photonic systems. We experimentally demonstrate quantum correlations in a network of three parties and two independent EPR sources that violate the constraints of real quantum theory by over 4.5 standard deviations, hence disproving real quantum theory as a universal physical theory.

The original formulation of quantum theory postulates states and measurements as operators in complex Hilbert spaces and uses tensor products to model system composition (Dirac, 1958; von Neumann, 1955). However, already some pioneers of the theory favored a real quantum theory over a complex quantum theory, i.e. using only real numbers in its mathematical formulation (Einstein, 2011). The general debate on the role of complex numbers in quantum theory has continued into the present (Aleksandrova *et al.*, 2013; Drechsel, 2019; Hardy and Wootters, 2012; Moretti and Oppio, 2017; Stueckelberg, 1960; Wootters, 1981, 1990; Wu *et al.*, 2021).

Another long-standing debate in the foundations of quantum theory, nowadays settled, concerned the existence of

local hidden variable theories to describe our world. Bell pioneered the idea of studying correlations in the outcome statistics of experiments to infer fundamental properties of their underlying physics (Bell, 1964). In recent years, experimental implementations of such Bell tests have successfully ruled out local hidden variable theories (Giustina *et al.*, 2015; Hensen *et al.*, 2015; Li *et al.*, 2018; Rosenfeld *et al.*, 2017; Shalm *et al.*, 2015). Surprisingly, it was further shown that a natural generalization of Bell's test in a network can, contrary to their traditional counterparts (McKague *et al.*, 2009; Pál and Vértesi, 2008), distinguish complex quantum theory from real quantum theory (Renou *et al.*, 2021). In a network in which parties are connected through several independent sources (Branciard

et al., 2010; Fritz, 2012; Tavakoli *et al.*, 2021), real quantum theory does not agree with all predictions of complex quantum theory (Renou *et al.*, 2021). This paves the way for experimentally distinguishing between the two theories in a quantum network based on independent sources. Here and in the rest of this paper, *real quantum theory* refers to a theory in which the real Hilbert spaces of independent systems are combined by the tensor product.

For this purpose, the simplest quantum network, describing the entanglement swapping scenario, suffices. As shown in Fig. 1, two independent sources each emit an EPR pair, the first one shared between Alice and Bob, and the second shared between Bob and Charlie. If Bob projects both of his particles onto an entangled basis, then Alice and Charlie are left in an entangled state when conditioned on Bob's outcome (Żukowski *et al.*, 1993). By appropriately combining the input-output probabilities of the network we arrive at a Bell-type correlation function, whose maximum value in real quantum theory can be upper bounded. Any experimental violation of this upper bound would disprove the universal validity of real quantum theory (Renou *et al.*, 2021).

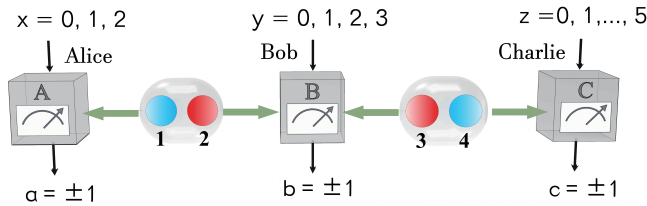


FIG. 1 The entanglement swapping scenario. Two sources, that may at most be classically correlated, distribute an entangled pair between Alice and Bob, and Bob and Charlie respectively. Alice, Bob and Charlie each select one of three, four and six inputs respectively and perform corresponding quantum measurements on their respective shares. Each measurement gives one of two possible outcomes.

Photons emerge as a natural platform for realizing quantum networks of scalable distance as they are suitable carriers of quantum information. Therefore it is natural to use a photonic quantum network to test real quantum theory. Moreover, the pivotal requirement of independent sources can be stringently met in photonic implementations, whereas a recent similar experiment based on superconducting qubits implemented both sources on the same chip (Chen *et al.*, 2021). However, photonic implementations come with the difficulty that the protocol proposed in (Renou *et al.*, 2021) requires a complete Bell state measurement. Even though such a measurement can be implemented using superconducting qubits (Chen *et al.*, 2021), it is not amenable to the tools of standard linear optics (Calsamiglia and Lütkenhaus, 2001; Lütkenhaus *et al.*, 1999), unless additional degrees of freedom are introduced and controlled (Schuck *et al.*, 2006). Here, we resolve this issue by developing a new protocol that uses a partial Bell

state measurement (Braunstein and Mann, 1995; Weinfurter, 1994).

Consider the scenario illustrated in Fig. 1. We focus on a quantum protocol in which each source emits the EPR state $|\Phi^+\rangle = \frac{|00\rangle+|11\rangle}{\sqrt{2}}$. Alice, Bob and Charlie independently perform measurements with random inputs $x \in \{0, 1, 2\}$, $y \in \{0, 1, 2, 3\}$ and $z \in \{0, 1, 2, 3, 4, 5\}$, respectively. Their measurement outcomes are labeled $a, b, c \in \{+1, -1\}$. Alice's three measurements are chosen as $\{\sigma_x, \sigma_y, \sigma_z\}$ and Charlie's six measurements are chosen as $\{\frac{(\sigma_x+\sigma_y)}{\sqrt{2}}, \frac{(\sigma_x-\sigma_y)}{\sqrt{2}}, \frac{(\sigma_y+\sigma_z)}{\sqrt{2}}, \frac{(\sigma_y-\sigma_z)}{\sqrt{2}}, \frac{(\sigma_x+\sigma_z)}{\sqrt{2}}, \frac{(\sigma_x-\sigma_z)}{\sqrt{2}}\}$, where $\sigma_x, \sigma_y, \sigma_z$ are Pauli observables. Bob's four measurements each correspond to discriminating one of the four Bell states. Specifically, the outcome $b = 1$ corresponds respectively to a projection onto the Bell state $|\Phi^+\rangle$, $|\Phi^-\rangle = \frac{|00\rangle-|11\rangle}{\sqrt{2}}$, $|\Psi^-\rangle = \frac{|01\rangle-|10\rangle}{\sqrt{2}}$ and $|\Psi^+\rangle = \frac{|01\rangle+|10\rangle}{\sqrt{2}}$. As in any Bell test, by suitably combining the probabilities $p(a, b, c|x, y, z)$, we define a Bell-type correlation function,

$$W = \frac{1}{5} \sum_{y=0}^3 T_y - \frac{4}{5} \sum_{y=0}^3 p(b=1|y), \quad (1)$$

where $y = y_2 y_1 \in \{00, 01, 10, 11\}$ in binary notation and $T_y = (-1)^{y_1+y_2}(S_{11y} + S_{12y}) - (-1)^{y_1}(S_{21y} - S_{22y}) + (-1)^{y_1+y_2}(S_{15y} + S_{16y}) + (-1)^{y_2}(S_{35y} - S_{36y}) - (-1)^{y_1}(S_{23y} + S_{24y}) + (-1)^{y_2}(S_{33y} - S_{34y})$, with $S_{xyz} = \sum_{a,c=\pm 1} acp(a, b=1, c|x, y, z)$. Using the tools developed in (Renou *et al.*, 2021), the value of (1) in real quantum theory is upper bounded by (Supplementary)

$$W_{\text{RQT}} \lesssim 0.7486. \quad (2)$$

This bound holds even if Alice, Bob and Charlie are allowed global shared classical randomness, i.e. the two sources may be classically, but not quantumly correlated. In turn, complex quantum theory predicts the value

$$W_{\text{CQT}} = \frac{6\sqrt{2}-4}{5} \approx 0.8971. \quad (3)$$

Hence an experimental observation of $W_{\text{EXP}} > 0.7486$ is sufficient to rule out real quantum theory.

A schematic of our optical quantum network implementing the states and measurements above is depicted in Fig. 2. By driving a Type-0 spontaneous parametric down-conversion (SPDC) process in a periodically poled MgO doped Lithium Niobate (PPLN) crystal with the pump laser at $\lambda_p = 779$ nm (Sun *et al.*, 2019), each EPR source probabilistically emits a pair of photons in state $|\Phi^+\rangle = \frac{|HH\rangle+|VV\rangle}{\sqrt{2}}$ at the phase-matched wavelengths 1560 nm (signal) and 1556 nm (idler), where $|H\rangle$ and $|V\rangle$ represent respectively the horizontal and vertical polarization states. The two EPR sources each deliver their signal photon to Bob and their idler photon to Alice and Charlie, respectively. To realize the protocol measurements, Bob lets the two signal photons sequentially pass polarization beam splitters

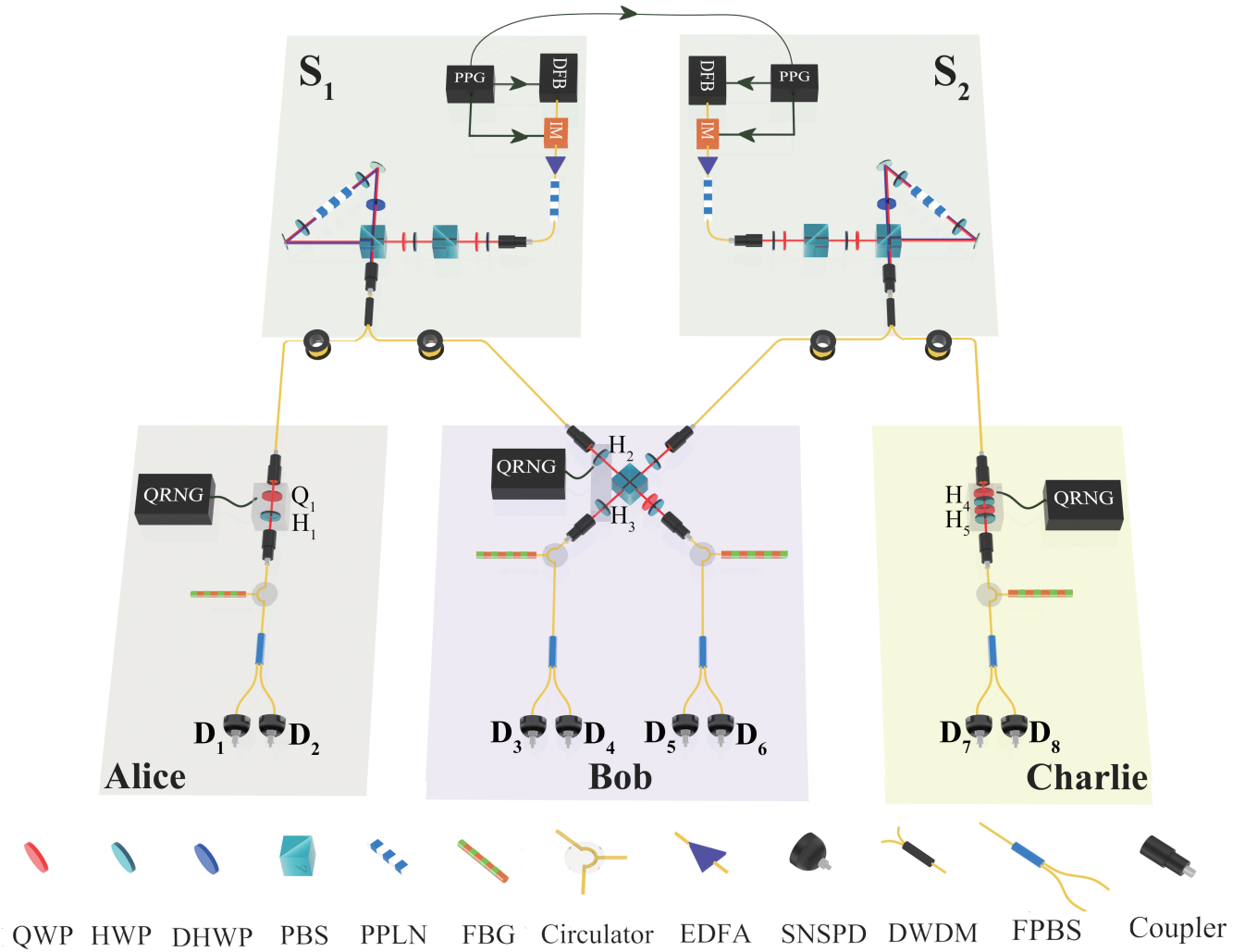


FIG. 2 Schematic of the experiment. The setup consists of two EPR sources, S_1 and S_2 , and three measurement nodes, Alice, Bob, and Charlie. In each EPR source, the laser pulse is injected into a Sagnac loop interferometer containing a PPLN crystal to produce a pair of photons in Bell state $|\Phi^+\rangle$ via the SPDC process (Sun *et al.*, 2019). The EPR source delivers the signal photon to Bob and the idler photon to Alice (Charlie). Bob performs measurement with the two signal photons, which prepares Alice and Charlie in a Bell state. Alice and Charlie measure the idler photons according to the inputs from the quantum random number generator (QRNG). PPG: pulse pattern generator, PPG in EPR source S_1 triggers the PPG in EPR source S_2 , DFB: distributed feedback laser, IM: intensity modulator, PBS: polarization beam splitter, HWP: half-wave plates, QWP: quarter wave plate, DHWP: HWP for dual wavelength, SPBS: spatial PBS, FBG: fibre bragg grating, $D_1, D_2, D_3, D_4, D_5, D_6, D_7, D_8$ are superconducting nanowire single-photon detector (SNSPD), FPBS: fibre PBS, DWDM: dense wavelength division multiplexer.

(PBS) and directs the four outputs to single-photon detectors (D_3, D_4, D_5, D_6) via optical fibers. The half-wave plates (HWPs) before and after the first PBS are adjusted to the proper orientations upon receiving y . The resulting two-photon coincidence detection between D_3 and D_5 or D_4 and D_6 assigns $b = +1$ and prepares Alice and Charlie to be in the Bell state $|\Phi^+\rangle, |\Phi^-\rangle, |\Psi^-\rangle$, or $|\Psi^+\rangle$ according to the random input $y \in \{0, 1, 2, 3\}$, respectively. Similarly, upon receiving the random inputs x and z , Alice and Charlie each respectively adjust the relevant HWP and quarter-wave plate (QWP) to perform the single-qubit measurements outlined in the above. The single-photon detection

events at each detector are time-tagged to produce the correlation analysis (Supplementary, Tables 1-2).

In order to falsify real quantum theory, it is essential to stringently meet the requirement that the two EPR sources are independent up to classical synchronization (Renou *et al.*, 2021). In our network experiment, the time reference of all events is set to the 15 GHz internal clock of a pulse pattern generator (PPG) in the EPR source S_1 , which triggers the PPG in the EPR source S_2 . In each EPR source, the PPG sends triggers at a rate of 250 MHz to enable the distributed feedback (DFB) laser to switch on the electric current. Switching from below to above the lasing thresh-

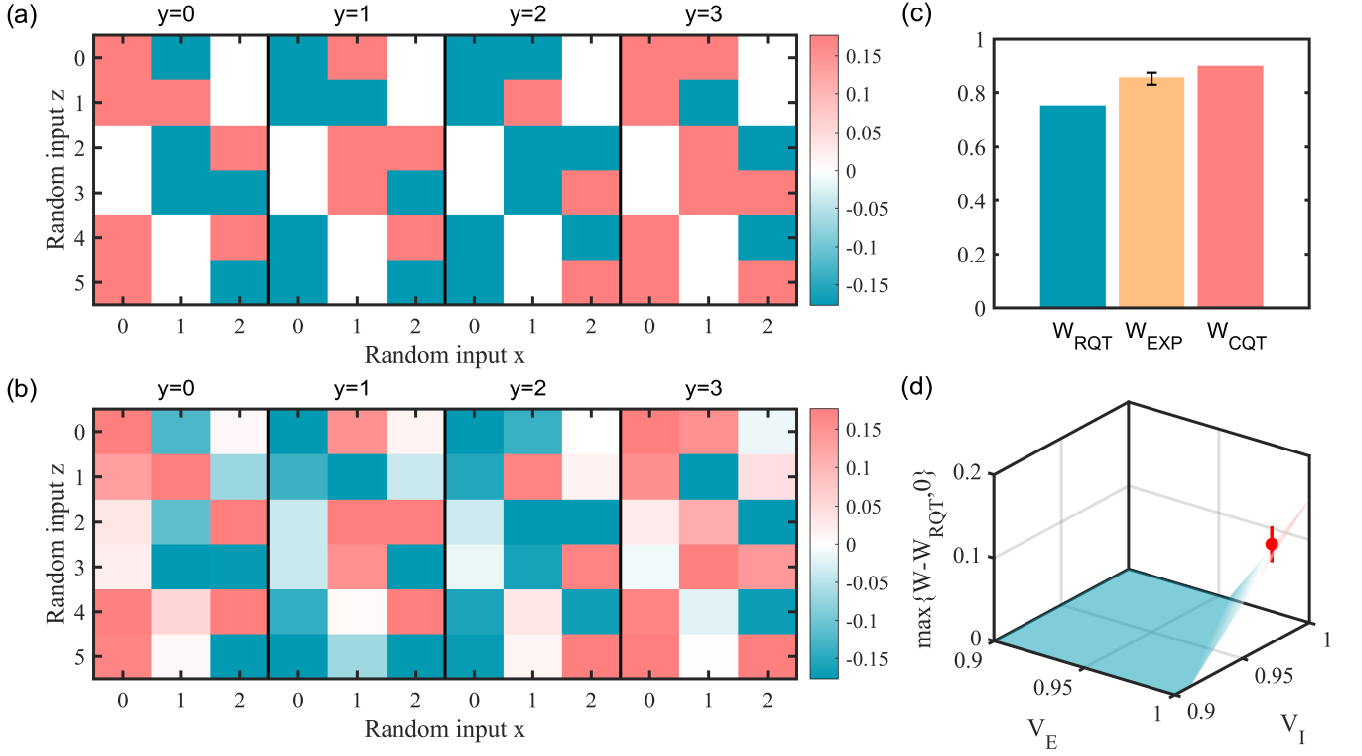


FIG. 3 Experimental results. The ideal (a) and experimentally measured (b) values $S_{xzy} = \sum_{a,c=\pm 1} a c p(a, b = 1, c | x, y, z)$. (C) The values of W in different scenarios. W_{RQT} : real quantum theory, W_{SQT} : complex quantum theory, W_{EXP} : experimental result in our optical quantum network. (D) An emulation of the experiment based on complex quantum theory. The value of red dot is given by $W_{EXP} - W_{RQT}$. Error bars shown in (c) and (d) represent one standard deviation in the experiment.

old, the DFB laser emits 2 ns laser pulse at the wavelength of 1558 nm with a randomized phase per trigger (Sun *et al.*, 2019). We further shorten the pulse width to 90 ps with an intensity modulator (IM). After passing through an erbium-doped-fibre-amplifier (EDFA), a PPLN waveguide to double the frequency, and a wavelength-division multiplex filter, the produced laser pulses at $\lambda_p = 779$ nm drive the SPDC process as described in the above, for which we keep the photon-pair production rate at about 0.0025 per trigger to strongly mitigate the multi-photon effect. We pass photons through fiber Bragg gratings (FBGs) with bandwidths of 3.3 GHz before entering single-photon detectors to suppress the spectral distinguishability between photons from different EPR sources. Quantum tomography measurements indicate that the state fidelity is greater than 0.99 for the two-photon states produced at EPR sources S_1 and S_2 with respect to the targeted Bell state $|\Phi^+\rangle$ and greater than 0.96 for the two-photon state of Alice and Charlie with respect to the Bell states $|\Phi^+\rangle$, $|\Phi^-\rangle$, $|\Psi^+\rangle$, and $|\Psi^-\rangle$ after entanglement swapping, respectively. The lack of coherence between pulses of the same laser and of different lasers ensures that the independence of the sources is stringently enforced in the network experiment.

We switch the measurement settings every 30 seconds, reserving the first 10 seconds to reset the measurement

settings, including quantum random number generation and wave-plate rotation, and the remaining 20 seconds for data collection. The average four-photon coincident detection event rate is 1.24 per switching cycle. We collect 26954 four-photon coincidence events in 21742 switching cycles. Since we only record Bob's outcome $b = +1$, we use our characterisation of the efficiency of the detection device to estimate the associated probability. For each cycle, we estimate $p(b = +1 | y)$ through the quantity $\frac{N_{b=+1|y} N_A N_C}{N_{AC} N_{AB} N_{BC}}$, where N_{AC} , N_{AB} , N_{BC} are the two-party photon coincidence numbers, N_A and N_C are the one-party photon detection numbers and $N_{b=+1|y}$ is the number of four-photon coincidence events when Bob obtains outcome $b = +1$ (Supplementary). In Figs. 3(a) and (b), we compare the $3 \times 4 \times 6 = 72$ different experimentally measured values of S_{xzy} , averaged with respect to different cycles, with their corresponding theoretical values. The results uphold a good agreement. Putting all together, we then obtain $W_{EXP} = 0.8508 \pm 0.0218$, which exceeds the upper bound $W_{RQT} \approx 0.7486$ set by real quantum theory by 4.70 standard deviations (Fig. 3(c)). We also perform an emulation of the experiment based on complex quantum theory. Consider that the EPR source emits a non-ideal state, $\rho_{EPR} = v_E |\Phi^+\rangle \langle \Phi^+| + (1 - v_E) I/4$, and the photons from the two EPR sources interfere with a non-ideal visibility v_I .

With $v_E = 0.9909$ and $v_I = 0.9844$ determined in the experiment, complex quantum theory predicts $W = 0.8404$, which is consistent with the experimental result W_{EXP} within a standard deviation (Fig. 3(d)).

We have experimentally demonstrated that real quantum theory is incompatible with the observed data in our optical quantum network experiment. The independent sources in the network guarantee that the observed correlations can not be simulated by real quantum theory (Renou *et al.*, 2021). The rapid development in photonic or hybrid quantum technologies, in particular with regard to more efficient detectors, faster switching, higher-quality entanglement sources and longer-distance entanglement distribution, leaves us optimistic of even more sophisticated future experiments. Research in quantum networks has enjoyed a rapid growth thanks to the role they are likely to play in quantum communications, distributed quantum computing and the future quantum internet. In addition to these potential applications, our work highlights that they are also powerful frameworks for devising and implementing tests of fundamental aspects of quantum theory.

D.T. is a recipient of a DOC Fellowship of the Austrian Academy of Sciences at the Institute of Quantum Optics and Quantum Information (IQOQI), Vienna. T.P.L. and M.W. are supported by the Lise Meitner Fellowship of the Austrian Academy of Sciences (project numbers M 2812-N and M 3109-N respectively). Z.-D.L., Y.-L.M., S.-J.Y., and J.F. are supported by the Key-Area Research and Development Program of Guangdong Province Grant No.2020B0303010001, Grant No.2019ZT08X324, and Guangdong Provincial Key Laboratory Grant No.2019B121203002. Z.W. is supported by the National Key R&D Program of China (No. 2021YFE0113100, No. 2018YFA0306703) and Sichuan Innovative Research Team Support Fund (2021JDTD0028). M.-O.R. and A.T. are supported by the Swiss National Fund Early Mobility Grants P2GEP2 191444 and P2GEP2 194800 respectively. M.-O.R. and A.A. acknowledge support from the Government of Spain (FIS2020-TRANQI and Severo Ochoa CEX2019-000910-S), Fundacio Cellex, Fundacio Mir-Puig, Generalitat de Catalunya (CERCA, AGAUR SGR 1381 and QuantumCAT), the ERC AdG CERQUTE, the AXA Chair in Quantum Information Science. N.G. is supported by the Swiss NCCR SwissMap.

REFERENCES

- Aleksandrova, Antoniya, Victoria Borish, and William K. Wootters (2013), “Real-vector-space quantum theory with a universal quantum bit,” *Phys. Rev. A* **87**, 052106.
- Bell, John Stewart (1964), “On the Einstein Podolsky Rosen paradox,” *Physics Physique Fizika* **1**, 195–200.
- Branciard, C, N. Gisin, and S. Pironio (2010), “Characterizing the nonlocal correlations created via entanglement swapping,” *Phys. Rev. Lett.* **104**, 170401.
- Braunstein, Samuel L, and Ady Mann (1995), “Measurement of the Bell operator and quantum teleportation,” *Phys. Rev. A* **51**, R1727–R1730.
- Calsamiglia, John, and Norbert Lütkenhaus (2001), “Maximum efficiency of a linear-optical Bell-state analyzer,” *Appl. Phys. B* **72** (1), 67–71.
- Caves, Carlton M, Christopher A. Fuchs, and Rüdiger Schack (2002), “Unknown quantum states: The quantum de finetti representation,” *Journal of Mathematical Physics* **43** (9), 4537–4559.
- Chen, Ming-Cheng, Can Wang, Feng-Ming Liu, Jian-Wen Wang, Chong Ying, Zhong-Xia Shang, Yulin Wu, Ming Gong, Hui Deng, Futian Liang, *et al.* (2021), “Ruling out real-number description of quantum mechanics,” [arXiv:2103.08123](https://arxiv.org/abs/2103.08123).
- Dirac, Paul Adrien Maurice (1958), *The Principles of Quantum Mechanics*, 4th ed., The International Series of Monographs on Physics No. 27 (Oxford University Press).
- Drechsel, Paul (2019), “Foundation of quantum mechanics: Once again,” *Foundations of Science* **24** (2), 375–389.
- Einstein, Albert (2011), *Letters on Wave Mechanics: Correspondence with H.A. Lorentz, Max Planck and Erwin Schrödinger*, edited by Karl Przibram (Philosophical Library/Open Road).
- Fritz, Tobias (2012), “Beyond bell’s theorem: correlation scenarios,” *New Journal of Physics* **14** (10), 103001.
- Giustina, Marissa, Marijn A. M. Versteegh, Sören Wengerowsky, Johannes Handsteiner, Armin Hochrainer, Kevin Phelan, Fabian Steinlechner, Johannes Kofler, Jan-Åke Larsson, Carlos Abellán, Waldimar Amaya, Valerio Pruneri, Morgan W. Mitchell, Jörn Beyer, Thomas Gerrits, Adriana E. Lita, Lynden K. Shalm, Sae Woo Nam, Thomas Scheidl, Rupert Ursin, Bernhard Wittmann, and Anton Zeilinger (2015), “Significant-loophole-free test of Bell’s theorem with entangled photons,” *Phys. Rev. Lett.* **115**, 250401.
- Hardy, Lucien, and William K. Wootters (2012), “Limited Holism and Real-Vector-Space Quantum Theory,” *Foundations of Physics* **42** (3), 454–473.
- Hensen, Bas, Hannes Bernien, Anaïs E. Dréau, Andreas Reiserer, Norbert Kalb, Machiel S. Blok, Just Ruitenberg, Raymond F. L. Vermeulen, Raymond N. Schouten, Carlos Abellán, Waldimar Amaya, Valerio Pruneri, Morgan W. Mitchell, Matthew Markham, Daniel J. Twitchen, David Elkouss, Stephanie Wehner, Tim H. Taminiau, and Ronald Hanson (2015), “Loophole-free Bell inequality violation using electron spins separated by 1.3 kilometres,” *Nature* **526**.
- Li, Ming-Han, Cheng Wu, Yanbao Zhang, Wen-Zhao Liu, Bing Bai, Yang Liu, Weijun Zhang, Qi Zhao, Hao Li, Zhen Wang, Lixing You, W. J. Munro, Juan Yin, Jun Zhang, Cheng-Zhi Peng, Xiongfeng Ma, Qiang Zhang, Jingyun Fan, and Jian-Wei Pan (2018), “Test of local realism into the past without detection and locality loopholes,” *Phys. Rev. Lett.* **121**, 080404.
- Löfberg, J (2004), “Yalmip : A toolbox for modeling and optimization in matlab,” in *Proceedings of the CACSD Conference* (Taipei, Taiwan).
- Lütkenhaus, Norbert, John Calsamiglia, and Kalle-Antti Suominen (1999), “Bell measurements for teleportation,” *Phys. Rev. A* **59**, 3295–3300.
- McKague, Matthew, Michele Mosca, and Nicolas Gisin (2009), “Simulating quantum systems using real hilbert spaces,” *Phys. Rev. Lett.* **102**, 020505.
- Moretti, Valter, and Marco Oppio (2017), “Quantum theory in real Hilbert space: How the complex Hilbert space structure emerges from Poincaré symmetry,” *Reviews in Mathematical Physics* **29** (06), 1750021.
- Moroder, Tobias, Jean-Daniel Bancal, Yeong-Cherng Liang, Martin Hofmann, and Otfried Gühne (2013), “Device-independent en-

- tanglement quantification and related applications,” *Phys. Rev. Lett.* **111**, 030501.
- MOSEK ApS, (2021), *The MOSEK optimization toolbox for MATLAB manual. Version 9.3*.
- Navascués, Miguel, Stefano Pironio, and Antonio Acín (2007), “Bounding the set of quantum correlations,” *Phys. Rev. Lett.* **98**, 010401.
- von Neumann, John (1955), *Mathematical Foundations of Quantum Mechanics*, Investigations in Physics No. 2 (Princeton University Press).
- Pál, Károly F. and Tamás Vértesi (2008), “Efficiency of higher-dimensional hilbert spaces for the violation of bell inequalities,” *Phys. Rev. A* **77**, 042105.
- Renou, Marc-Olivier, David Trillo, Mirjam Weilenmann, Le Phuc Thinh, Armin Tavakoli, Nicolas Gisin, Antonio Acín, and Miguel Navascués (2021), “Quantum physics needs complex numbers,” arXiv:2101.10873.
- Rosenfeld, W, D. Burchardt, R. Garthoff, K. Redeker, N. Ortegell, M. Rau, and H. Weinfurter (2017), “Event-ready Bell test using entangled atoms simultaneously closing detection and locality loopholes,” *Phys. Rev. Lett.* **119** (1), 010402.
- Schuck, Carsten, Gerhard Huber, Christian Kurtsiefer, and Harald Weinfurter (2006), “Complete deterministic linear optics bell state analysis,” *Phys. Rev. Lett.* **96**, 190501.
- Shalm, Lynden K, Evan Meyer-Scott, Bradley G. Christensen, Peter Bierhorst, Michael A. Wayne, Martin J. Stevens, Thomas Gerrits, Scott Glancy, Deny R. Hamel, Michael S. Allman, Kevin J. Coakley, Shellee D. Dyer, Carson Hodge, Adriana E. Lita, Varun B. Verma, Camilla Lambrocco, Edward Tortorici, Alan L. Migdall, Yanbao Zhang, Daniel R. Kumor, William H. Farr, Francesco Marsili, Matthew D. Shaw, Jeffrey A. Stern, Carlos Abellán, Waldimar Amaya, Valerio Pruneri, Thomas Jennewein, Morgan W. Mitchell, Paul G. Kwiat, Joshua C. Bienfang, Richard P. Mirin, Emanuel Knill, and Sae Woo Nam (2015), “Strong loophole-free test of local realism,” *Phys. Rev. Lett.* **115**, 250402.
- Stueckelberg, Ernst CG (1960), “Quantum theory in real Hilbert space,” *Helv. Phys. Acta* **33**, 727.
- Sun, Qi-Chao, Yang-Fan Jiang, Bing Bai, Weijun Zhang, Hao Li, Xiao Jiang, Jun Zhang, Lixing You, Xianfeng Chen, Zhen Wang, Qiang Zhang, Jingyun Fan, and Jian-Wei Pan (2019), “Experimental demonstration of non-bilocality with truly independent sources and strict locality constraints,” *Nature Photonics* **13** (10), 687–691.
- Tavakoli, Armin, Alejandro Pozas-Kerstjens, Ming-Xing Luo, and Marc-Olivier Renou (2021), “Bell nonlocality in networks,” arXiv:2104.10700.
- Vandenbergh, L, and S. Boyd (1996), “Semidefinite programming,” *SIAM Review* **38**, 49.
- Weinfurter, Harald (1994), “Experimental Bell-state analysis,” *EPL* **25** (8), 559–564.
- Wootters, William K (1981), “Statistical distance and Hilbert space,” *Phys. Rev. D* **23**, 357–362.
- Wootters, William K (1990), “Local accessibility of quantum states,” in *Complexity, Entropy and the Physics of Information*, Santa Fe Institute Studies in the Sciences of Complexity, Vol. VIII, edited by Wojciech Zurek (CRC Press).
- Wu, Kang-Da, Tulja Varun Kondra, Swapan Rana, Carlo Maria Scandolo, Guo-Yong Xiang, Chuan-Feng Li, Guang-Can Guo, and Alexander Streltsov (2021), “Operational resource theory of imaginarity,” *Phys. Rev. Lett.* **126**, 090401.
- Żukowski, M, A. Zeilinger, M. A. Horne, and A. K. Ekert (1993), ““event-ready-detectors” bell experiment via entanglement swapping,” *Phys. Rev. Lett.* **71**, 4287–4290.

Appendix A: Derivation of inequality (2) in main text

In the entanglement swapping scenario (see Fig. 1), the two independent sources can share any real quantum states ρ_{AB} and $\rho_{B'C}$ between Alice and Bob and Bob and Charlie, respectively. Alice, Bob and Charlie then perform measurements (with outcomes a , b and c) on their respective shares, which are denoted as $\{E_{a|x} : a\}$, $\{F_{b|z} : b\}$ and $\{G_{c|z} : c\}$. Mathematically, these are complete sets of projectors for every input x , y and z . This means that the input-output correlations observed by the parties are

$$P(a, b, c|x, y, z) = \text{tr}((\rho_{AB} \otimes \rho_{B'C})(E_{a|x} \otimes F_{b|z} \otimes G_{c|z})). \quad (\text{A1})$$

Notice that the measurements $\{F_{b|z} : b\}$ act on both subsystems held by Bob (B and B').

To prove Inequality (2) in main text, we adapt the semidefinite-programming (SDP) (Vandenberghe and Boyd, 1996) relaxation given in (Moroder et al., 2013; Navascués et al., 2007; Renou et al., 2021) to study a related Bell-type inequality where Bob just had a single measurement setting, see the original paper for more details.

Let $\rho_{b|y}^{AC}$ be the non-normalized state in Alice and Charlie's systems when Bob conducts measurement y and obtains outcome b . Consider now the local completely positive maps given by

$$\begin{aligned} \Omega_A(\eta) &= \sum_{\alpha, \alpha'} \text{tr}(E_{\alpha}^{\dagger} \eta E_{\alpha'}) |\alpha\rangle \langle \alpha'|, \\ \Omega_C(\eta) &= \sum_{\gamma, \gamma'} \text{tr}(G_{\gamma}^{\dagger} \eta G_{\gamma'}) |\gamma\rangle \langle \gamma'|, \end{aligned} \quad (\text{A2})$$

where E_{α}, G_{γ} respectively denote monomials of the operators $\{E_{a|x}\}, \{G_{c|z}\}$, and the sums are over all monomials of degree smaller than or equal to a given order N (in that sum, we include the identity operator, which we regard as a monomial of degree 0).

We next define the matrices $\Gamma_{b|y} \equiv \Omega_A \otimes \Omega_C(\rho_{b|y}^{AC})$. From the definition, it is clear that these matrices must be positive semidefinite, and, as observed in (Renou et al., 2021), some of their entries correspond to the observed measurement probabilities $P(a, b, c|x, y, z)$. Moreover, some of the remaining entries must be identical to reflect the fact that products of different pairs of operators can result in the same operator (e.g.: $E_{0|0}E_{0|1} = E_{0|0}(E_{0|1})^{\dagger} = \mathbb{I} \cdot (E_{0|1}E_{0|0})^{\dagger}$). In addition, the quantity

$$\Gamma := \sum_b \Gamma_{b|y} \quad (\text{A3})$$

must be independent of y , since it represents the action of $\Omega_A \otimes \Omega_C$ over Alice and Charlie's joint state $\sum_b \rho_{b|y}^{AC} = \rho^{AC}$ before Bob carried out his measurement. Furthermore, since ρ^{AC} is a real-separable state (namely, a convex

combination of real product states), so must be the non-normalized bipartite state Γ . In particular, Γ must be invariant under partial transposition of Alice's system (Caves et al., 2002).

Let $H_{a,c|x,z}^N$ be the matrix such that $\text{tr}(\Gamma_{b|y} H_{a,c|x,z}^N) = P(a, b, c|x, y, z)$, and let S_N be the matrix subspace where $\{\Gamma_b^y\}_{b,y}$ live (it is non-trivial on account of the aforementioned identities between some of the matrix entries). Summing it all up, we have that the maximum value of (2) in main text in real quantum theory is upper bounded by the following semidefinite program:

$$\begin{aligned} & \max_{\vec{\Gamma}, P} W(P), \\ \text{s. t. } & \Gamma_{b|y} \in S_N, \Gamma_{b|y} \geq 0, \forall b, y, \\ & \Gamma^{TA} = \Gamma, \sum_b \Gamma_{b|y} = \Gamma, \forall b, y, \\ & \text{tr}(\Gamma_{b|y} H_{a,c|x,z}^N) = P(a, b, c|x, y, z), \forall a, b, c, x, y, z, \\ & \sum_{a,b,c} P(a, b, c|x, z) = 1, \end{aligned} \quad (\text{A4})$$

where $\vec{\Gamma}$ denotes the tuple of matrices $(\Gamma, (\Gamma_{b|y})_{y,b})$.

For $N = 2$, we ran the corresponding SDP with the MATLAB packages YALMIP (Löfberg, 2004) and Mosek (MOSEK ApS, 2021) and obtained the upper bound shown in eq. (2) in main text.

Appendix B: Wave-plate angles in Alice, Bob and Charlie's measurements

The wave-plate angles in Alice, Bob and Charlie's measurements are shown in Table S1 and S2, respectively.

Table S1.

Bob sets wave-plates to the proper angles to perform measurement $\hat{\Pi}_y$ and $1 - \hat{\Pi}_y$ according to the random input $y = y_2 y_1$, respectively. The angle is 0° when the optical axis of the half wave-plate (H_2, H_3) is oriented vertically in the experiment.

$y = y_2 y_1$ (binary)	H_2	H_3	$\hat{\Pi}_y, b = +1$	$1 - \hat{\Pi}_y, b = -1$
0 (00)	@ 0°	@ 22.5°	$ \Phi^+\rangle \langle \Phi^+ $	$1 - \Phi^+\rangle \langle \Phi^+ $
1 (01)	@ 0°	@ 67.5°	$ \Phi^-\rangle \langle \Phi^- $	$1 - \Phi^-\rangle \langle \Phi^- $
2 (10)	@ 45°	@ 22.5°	$ \Psi^-\rangle \langle \Psi^- $	$1 - \Psi^-\rangle \langle \Psi^- $
3 (11)	@ 45°	@ 67.5°	$ \Psi^+\rangle \langle \Psi^+ $	$1 - \Psi^+\rangle \langle \Psi^+ $

Table S2.

Alice and Charlie set the half wave-plates (H_1, H_4, H_5) and quarter wave-plates (Q_1) to the proper angles to perform measurements A_x and C_z according to the random inputs $x \in \{0, 1, 2\}$ and $z \in \{0, 1, 2, 3, 4, 5\}$, respectively.

x	Q_1	H_1	A_x
0	@45°	@22.5°	σ_x
1	@45°	@0°	σ_y
2	@0°	@0°	σ_z
z	H_4	H_5	C_z
0	@11.25°	@22.5°	$\sigma_x + \sigma_y$
1	@33.75°	@22.5°	$\sigma_x - \sigma_y$
2	@22.5°	@11.25°	$\sigma_y + \sigma_z$
3	@22.5°	@33.75°	$\sigma_y - \sigma_z$
4	@0°	@33.75°	$\sigma_x + \sigma_z$
5	@0°	@11.25°	$\sigma_x - \sigma_z$

Appendix C: Experimental evaluation of the quantity $\sum_{y=0}^3 p(b = +1|y)$

We estimate the probability $p(b = +1|y)$ with

$$p(b = +1|y) = N_{b=+1|y}/N_{Tot}, \quad (C1)$$

where $N_{Tot} = N_{b=+1|y} + N_{b=-1|y}$ is the number of four-fold coincident events between Alice, Bob, and Charlie, $N_{b=+1|y}$ and $N_{b=-1|y}$ are the number of four-fold coincident events which correspond to Bob's binary outcome $b = +1$ and $b = -1$ with input y , respectively.

Assuming the probability for EPR source 1 (2) to emit a pair of photons is g_1 and the probabilities for the pair of photons to be detected by Alice (Charlie) and Bob are respectively η_A (η_C) and η_{B_1} (η_{B_2}), the probability to detect a four-fold coincidence events is $g_1 g_2 \eta_A \eta_{B_1} \eta_{B_2} \eta_C$ in one experimental trial. Here η_{B_1} and η_{B_2} are the overall detection probabilities as the respective photon enters Bob's measurement station. Then we have $N_{Tot} = R g_1 g_2 \eta_A \eta_{B_1} \eta_{B_2} \eta_C$ and

$$p(b = +1|y) = N_{b=+1|y}/N_{Tot} = N_{b=+1|y}/(R g_1 g_2 \eta_A \eta_{B_1} \eta_{B_2} \eta_C), \quad (C2)$$

where R is the number of experimental trials.

We note that the number of two-photon coincidence events detected by Alice and Charlie is given as

$$N_{AC} = R g_1 g_2 \eta_A \eta_C. \quad (C3)$$

Similarly, we have

$$N_{AB} = R g_1 \eta_A \eta_{B_1}, N_{BC} = R g_2 \eta_C \eta_{B_2}, N_A = R g_1 \eta_A, N_C = R g_2 \eta_C, \quad (C4)$$

where N_{AB} and N_{BC} are the two-photon coincidence events between Alice (Charlie) and Bob, N_A and N_C are the numbers of single photon detection events by Alice and Charlie, respectively.

Then we rewrite $p(b = +1|y)$ as

$$p(b = +1|y) = \frac{N_{b=+1|y} N_A N_C}{N_{AC} N_{AB} N_{BC}}. \quad (C5)$$

We obtain $\sum_{y=0}^3 p(b = +1|y) = 1.0038 \pm 0.0061$ in this experiment.

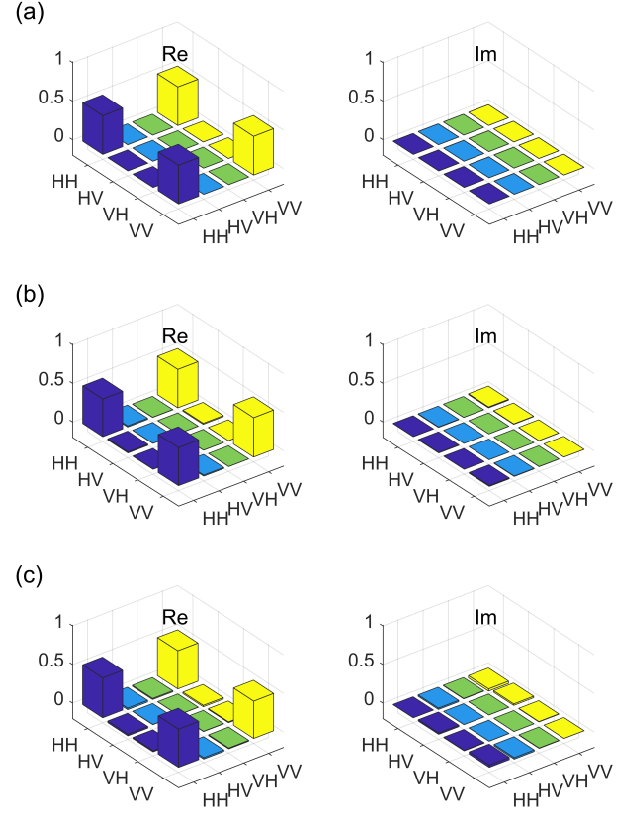


FIG. S1 (a) The density matrix of ideal EPR state $|\Phi^+\rangle$. (b)(c) The experimentally reconstructed density matrices of states emitted by EPR sources S_1 and S_2 with fidelities 0.9955 ± 0.0005 and 0.9909 ± 0.0007 , respectively.

Appendix D: Quantum state tomography measurements

We reconstruct the density matrices of the states emitted by EPR sources S_1 and S_2 based on quantum state tomography measurement respectively with fidelities 0.9955 ± 0.0005 and 0.9909 ± 0.0007 with respect to the ideal state $|\Phi^+\rangle$, as shown in Fig. S1. The uncertainties are obtained using a Monte Carlo routine assuming Poissonian statistics. We also reconstruct the density matrices of the states shared by Alice and Charlie after entanglement swapping measurement by Bob, with fidelities 0.9844 ± 0.0061 , 0.9629 ± 0.0106 , 0.9741 ± 0.0085 and 0.9661 ± 0.0081 with respect to ideal states $|\Phi^+\rangle$, $|\Phi^-\rangle$, $|\Psi^+\rangle$, $|\Psi^-\rangle$, respectively, as shown in Fig. S1. We attribute the imperfection to the residual distinguishability between photons from separate EPR sources. We stress that there is no coherence between pulses of the same laser and of different lasers.

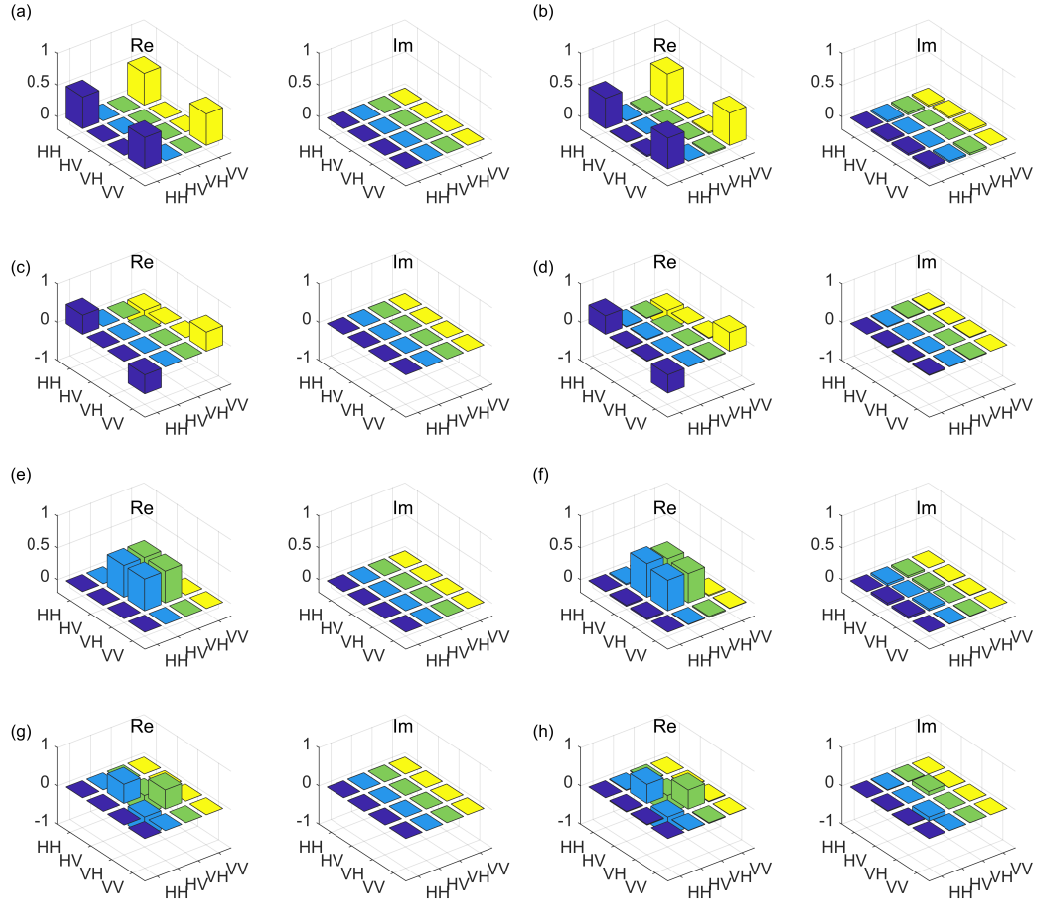


FIG. S2 (a)(c)(e)(g) Density matrices of ideal EPR states $|\Phi^+\rangle$, $|\Phi^-\rangle$, $|\Psi^+\rangle$, $|\Psi^-\rangle$. (b)(d)(f)(h) Reconstructed density matrices of states shared by Alice and Charlie in the experiment.

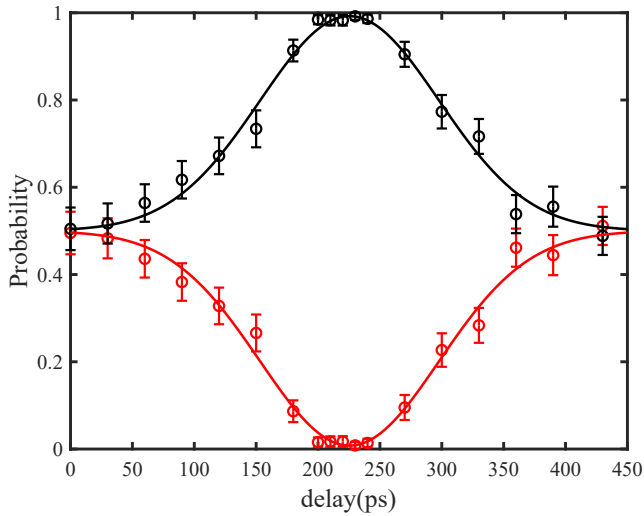


FIG. S3 Two-photon Hong-Ou-Mandel interference with a fitted visibility $V_I = 0.9844$ in our experiment.

Appendix E: Complex quantum theory emulation of the experiment

We emulate the experiment based on complex quantum theory, for which we consider experimental imperfections. We model the state of a pair of photons emitted by the EPR source by a density operator $\rho_{EPR} = v_E |\Phi^+\rangle\langle\Phi^+| + (1 - v_E)I/4$, and the four Bell state measurements performed by Bob by $M_0 = v_I |\Phi^+\rangle\langle\Phi^+| + (1 - v_I)(|\Phi^+\rangle\langle\Phi^+| + |\Phi^-\rangle\langle\Phi^-|)/2$, $M_1 = v_I |\Phi^-\rangle\langle\Phi^-| + (1 - v_I)(|\Phi^+\rangle\langle\Phi^+| + |\Phi^-\rangle\langle\Phi^-|)/2$, $M_2 = v_I |\Psi^-\rangle\langle\Psi^-| + (1 - v_I)(|\Psi^+\rangle\langle\Psi^+| + |\Psi^-\rangle\langle\Psi^-|)/2$, $M_3 = v_I |\Psi^+\rangle\langle\Psi^+| + (1 - v_I)(|\Psi^+\rangle\langle\Psi^+| + |\Psi^-\rangle\langle\Psi^-|)/2$, where v_I is the visibility of the Hong-Ou-Mandel interference with two photons from EPR sources S_1 and S_2 (Fig. S3). We then evaluate the correlation functions and the value of W for different values of v_E and v_I . The fitted visibility is $V_I = 0.9844$ in our experiment.